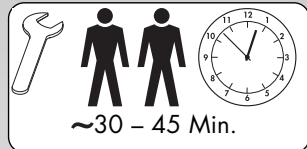
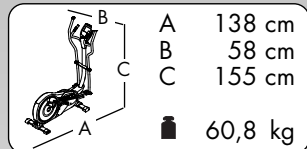


# KETTLER

HKS-SELECTION

## Montageanleitung Crosstrainer Ergometer "Unix E" / „Unix EX“

Art.-Nr. 07670-600 / 07670-700



2-3 (D)

4-5 (GB)

6-7 (F)

8-9 (NL)

10-11 (E)

12-13 (I)

14-15 (PL)

16-17 (CZ)

18-19 (P)

20-21 (DK)

22-23 (SLO)

24-25 (SRB)

26-27 (RUS)

Auf 100% Altpapier!

Abb. ähnlich

MADE IN GERMANY



Please read these instructions carefully prior to carrying out assembly and using for the first time. They contain information which is important for your safety as well as for the use and maintenance of the appliance. Keep these instructions in a safe place for reference purposes, maintenance work and to assist you when ordering spare parts.

## For Your Safety

- ⚠ **RISK!** While assembly of the product keep off children's reach (Choking hazard - contains small parts).
- ⚠ **RISK!** The device requires a supply voltage of 230V, 50 Hz.  
– Connect the power cord with a grounded protective contact socket.
- ⚠ **RISK!** Any other use of the equipment is prohibited and may be dangerous. The manufacturer cannot be held liable for damage or injury caused by improper use of the equipment.
- ⚠ **RISK!** Instruct people using the equipment (in particular children) on possible sources of danger during exercising.
- ⚠ **RISK!** Do not under any circumstances carry out electrical repairs or alterations yourself. Always ensure that such work is done by a properly qualified electrician.
- ⚠ **RISK!** disconnect the apparatus from the mains before doing repair, maintenance or cleaning work.
- ⚠ **RISK!** Incorrect repairs and structural modifications (e.g. removal or replacement of original parts) may endanger the safety of the user.
- ⚠ **RISK!** Heart rate monitoring systems may be inaccurate. Over exercise may result in serious injury or death. If you feel faint stop exercising immediately.
- ⚠ **RISK!** All electric appliances emit electromagnetic radiation when in operation. Please do not leave especially radiation-intensive appliances (e.g. mobile telephones) directly next to the cockpit or the electronic controlsystem as otherwise values displayed might be distorted (e.g. pulse measurement).
- ⚠ **RISK!** Ensure that the power cable is not pinched and that no one can trip over it.
- ⚠ **WARNING!** The training device should be used only for its intended purpose, i.e. for physical exercise by adult people.
- ⚠ **WARNING!** Before beginning your program of training, study the instructions for training carefully.
- ⚠ **WARNING!** Any interference with parts of the product that are not described within the manual may cause damage, or endanger the person using this machine. Extensive repairs must only be carried out by KETTLER service staff or qualified personnel trained by KETTLER.
- ⚠ **WARNING!** If you lose the pulse signal, the performance of the device will remain constant for approx. 60 seconds and is then slowly adjusted downwards. Please check your pulse measuring system (ear clip, hand pulse or chest belt) so that the pulse signal of the electronics can be entered again.
- The training device has been designed in accordance with the latest standards of safety. Any features which may have been a possible cause of injury have been avoided or made as safe as possible.
- The training device corresponds with DIN EN 957-1/-9, class HA.
- In case of enquiry, please contact your KETTLER dealer.
- If the equipment is in regular use, check all its components thoroughly every 1–2 months. Pay particular attention to the tightness of bolts and nuts. This is particularly true for the attachment of grip strap, running plate and fastening of the handlebar and front tube.
- Before beginning your program of exercise, consult your doctor to ensure that you are fit enough to use the equipment. Base your program of exercise on the advice given by your doctor. Incorrect or excessive exercise may damage your health!
- Before use, always check all screws and plug-in connections as well as respective safety devices fit correctly.
- Always wear suitable shoes when using.
- Our products are subject to a constant innovative quality assurance. We reserve the right to perform technical modifications.
- In choosing the location of the apparatus, ensure a sufficient safety distance from any obstacles. The apparatus must not be mounted in the immediate vicinity of main passageways (paths, doorways, corridors).
- Always observe the general safety rules and precautions for working with electrical equipment.
- Do not use a multiple power socket for the running belt. If an extension cable is being used, ensure that it complies with the VDE regulations.
- Unplug the power cord of the device from the socket if not used for a longer period.
- Nobody may be in the moving range of a training person during training
- This exercise machine may only be used for exercises indicated in the training instructions.
- The surface on which the unit is placed must be firm and even. Place rubber or straw mats under it to deaden any noise or impacts. Only for appliances with weights. Avoid powerful oscillations of the dumbbells!
- When mounting the product please take the recommended torque information into account ( $M = xx \text{ Nm}$ ).

## Instructions for Assembly

- ⚠ **RISK!** Ensure that your working area is free of possible sources of danger, for example don't leave any tools lying around. Always dispose packaging material in such a way that it may not cause any danger. There is always a risk of suffocation if children play with plastic bags!
- ⚠ **WARNING!** Please note that there is always a danger of injury when working with tools or doing manual work. Therefore please be careful when assembling this machine.
- Ensure that you have received all the parts required (see check list) and that they are undamaged. Should you have any cause for complaint, please contact your KETTLER dealer.
- Before assembling the equipment, study the drawings carefully and carry out the operations in the order shown by the diagrams. The correct sequence is given in capital letters.
- The equipment must be assembled with due care by an adult person. If in doubt call upon the help of a second person, if possible technically talented.

- The fastening material required for each assembly step is shown in the diagram inset. Use the fastening material exactly as instructed.
- Bolt all the parts together loosely at first, and check that they have been assembled correctly. Tighten the locknuts by hand until resistance is felt, then use spanner to finally tighten nuts completely against resistance (locking device). Then check that

all screw connections have been tightened firmly. Attention: once locknuts have been unscrewed they no longer function correctly (the locking device is destroyed), and must be replaced.

- For technical reasons, we reserve the right to carry out preliminary assembly work (e.g. addition of tubing plugs).

## Handling the equipment

- Before using the equipment for exercise, check carefully to ensure that it has been correctly assembled.
- It is not recommended to use or store the apparatus in a damp room as this may cause it to rust. Please ensure that no part of the machine comes in contact with liquids (drinks, perspiration etc.). This may cause corrosion.
- The machine is designed for use by adults and children should not be allowed to play with it. Children at play behave unpredictably and dangerous situations may occur for which the manufacturer cannot be held liable. If, in spite of this, children are allowed to use the equipment, ensure that they are instructed in its proper use and supervised accordingly.
- The equipment is independent of revolutions per minute.
- A slight production of noise at the bearing of the centrifugal mass is due to the construction and has no negative effect upon operation. Possibly occurring noise during reverse pedalling result from engineering and are absolutely safe.
- The training device has a electromagnetic brake system.
- To operate correctly, the pulse function requires a minimum

voltage of 2,7 volts (only for computers working with batteries).

- Before beginning your first training session, familiarize yourself thoroughly with all the functions and settings of the unit.

## Care and Maintenance

- Damaged components may endanger your safety or reduce the lifetime of the equipment. For this reason, worn or damaged parts should be replaced immediately and the equipment taken out of use until this has been done. Use only original KETTLER spare parts.
- To ensure that the safety level is kept to the highest possible standard, determined by its construction, this product should be serviced regularly (once a year) by specialist retailers.
- Use for your regular cleaning, maintenance and care our appliance maintenance set (Article no. 07921-000) specifically licensed for KETTLER Sports apparatus and available from the Sport specialized trade.
- Please ensure that liquids or perspiration never enter the machine or the electronics.

## List of spare parts page 41-46

When ordering spare parts, always state the full article number, spare-partnumber, the quantity required and the S/N of the product (see handling).

**Example order:** Art. no. 07670-700 / spare-part no. 94318447 / 2 pieces / S/N ..... Please keep original packaging of this article, so that it may be used for transport at a later date, if necessary.

Goods may only be returned after prior arrangement and in (internal) packaging, which is safe for transportation, in the original box if possible. It is important to provide a detailed defect description / damage report!

**Important:** spare part prices do not include fastening material if fastening material (bolts, nuts, washers etc.) is required, this should be clearly stated on the order by adding the words „with fastening material“.

## Waste Disposal



KETTLER products are recyclable. At the end of its useful life please dispose of this article correctly and safely (local refuse sites).



### KETTLER GB Ltd.

Kettler House, Merse Road  
North Moons Moat  
Redditch, Worcestershire B98 9HL

+44 1527 591901

+44 1527 62423

www.kettler.co.uk

Mail: sales@kettler.co.uk



### KETTLER International Inc.

1355 London Bridge Road  
Virginia Beach, VA 23453

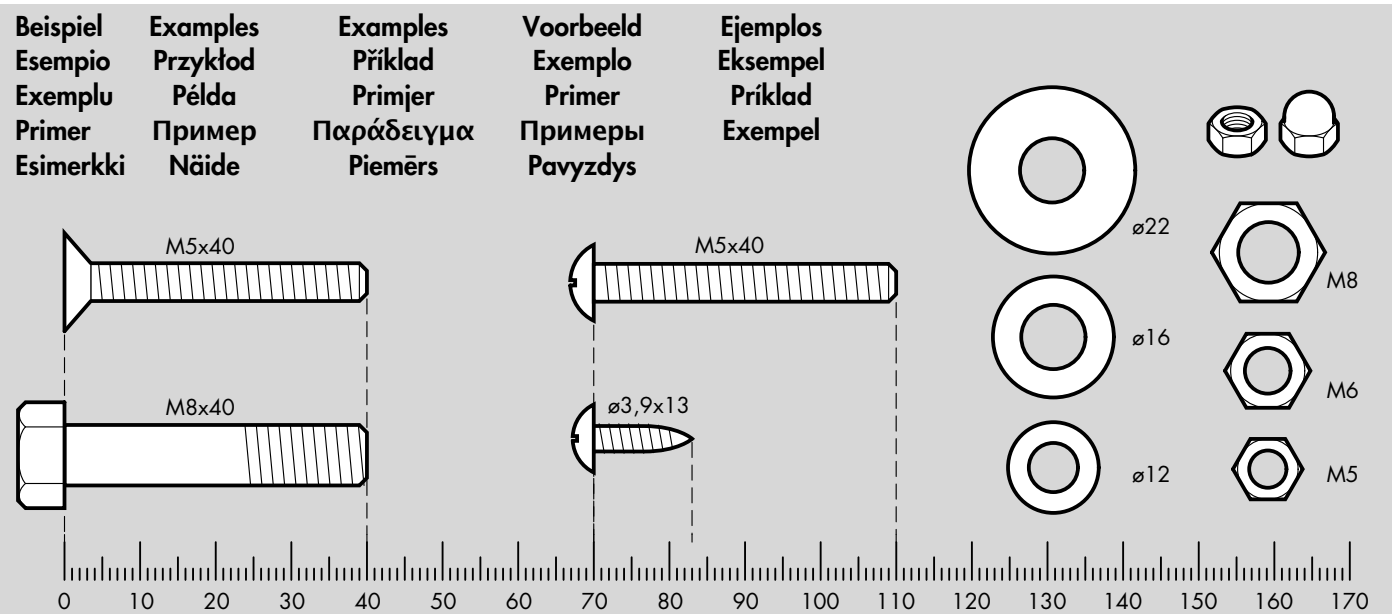
+1 888 253 8853

+1 888 222 9333

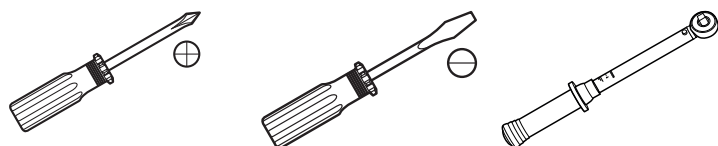
www.kettlerusa.com

# Messhilfe für Verschraubungsmaterial

- GB - Measuring help for screw connections
- F - Gabarit pour système de serrae
- NL - Meethulp voor schroefmateriaal
- E - Ayuda para la medición del material de atornilladura
- I - Misura per materiale di avvitamento
- PL - Wzornik do połączeń śrubowych
- CZ - Měřicí pomůcka pro materiál k přišroubování
- P - Auxiliar de medição para materiais de aparafusamento
- DK - Hjælp til måling af skruer
- SLO - Merilni pripomoček za vijajni material
- SRB - Pomoć za merenje materijala za pričvršćivanje
- RUS - Размеры крепежных материалов



- D - Benötigtes Werkzeug - Gehört nicht zum Lieferumfang.
- GB - Tools required - Not included.
- F - Outils nécessaires - Ne fait pas partie du domaine de livraison.
- NL - Benodigd gereedschap - Is niet bij de levering inbegrepen.
- E - Herramientas necesarias - No forma parte del volumen de entrega.
- I - Strumenti necessari - Non in dotazione alla fornitura.
- PL - Narzędzi - Nie należy do zakresu dostawy.
- CZ - Nářadí potřebné - Nepatří do rozsahu dodávky
- P - Ferramentas necessárias - Não está incluído nas peças fornecidas
- DK - Værktøjer kræves - Er ikke inkluderet i leveringsomfanget.
- SLO - Potrebna orodja - niso vključeni.
- SRB - Potreban alat - ne spada u opseg isporuke.
- RUS - Необходимый инструмент - не входит в комплект поставки.


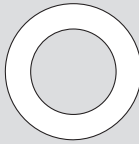



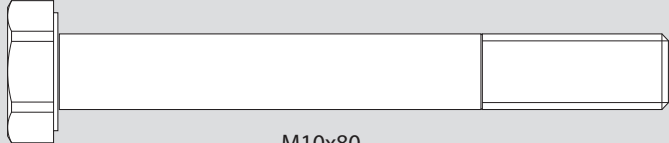
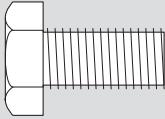
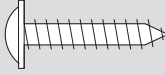
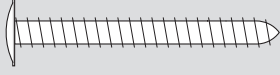
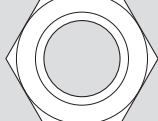
# Checkliste (Packungsinhalt)

07670-700, -600

- GB - Checklist (contents of packaging)
- F - Liste de vérification (contenu de l'emballage)
- NL - Checklijst (verpakkinginhoud)
- E - Lista de control (contenido del paquete)
- I - Lista di controllo (contenuto del pacco)
- PL - Lista kontrolna (zawartość opakowania)

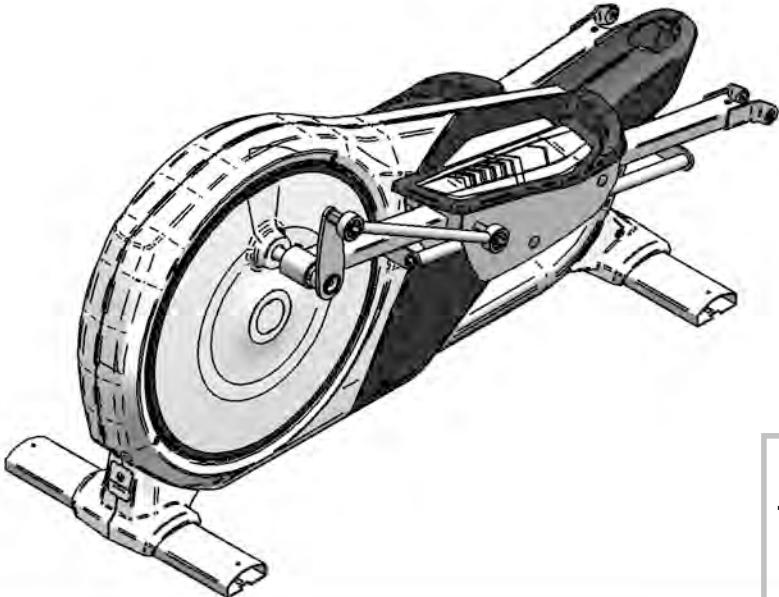
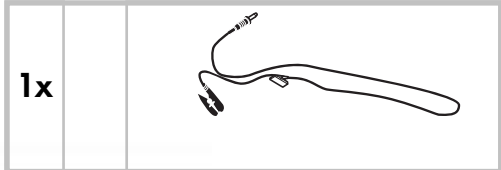
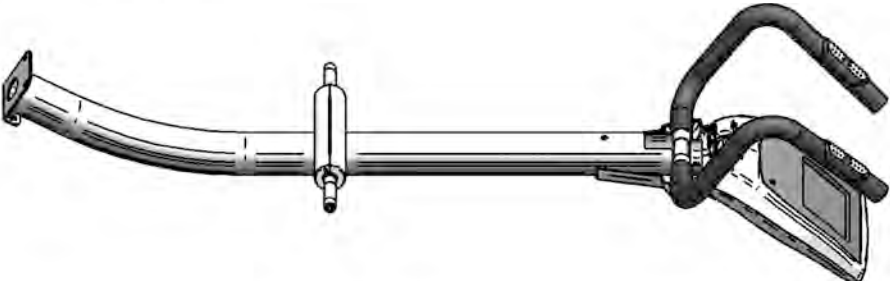








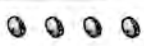
- CZ - Kontrolní seznam (obsah balení)
- P - Lista de verificação (conteúdo da embalagem)
- DK - Checkliste (pakkens indhold)
- SLO - Kontrolni seznam (vsebina embalaže)
- SRB - Spisak delova u pakovanju
- RUS - Контрольный список

2x		ø 25x8,4
4x		ø 18x11,3
4x		ø 16x8,3

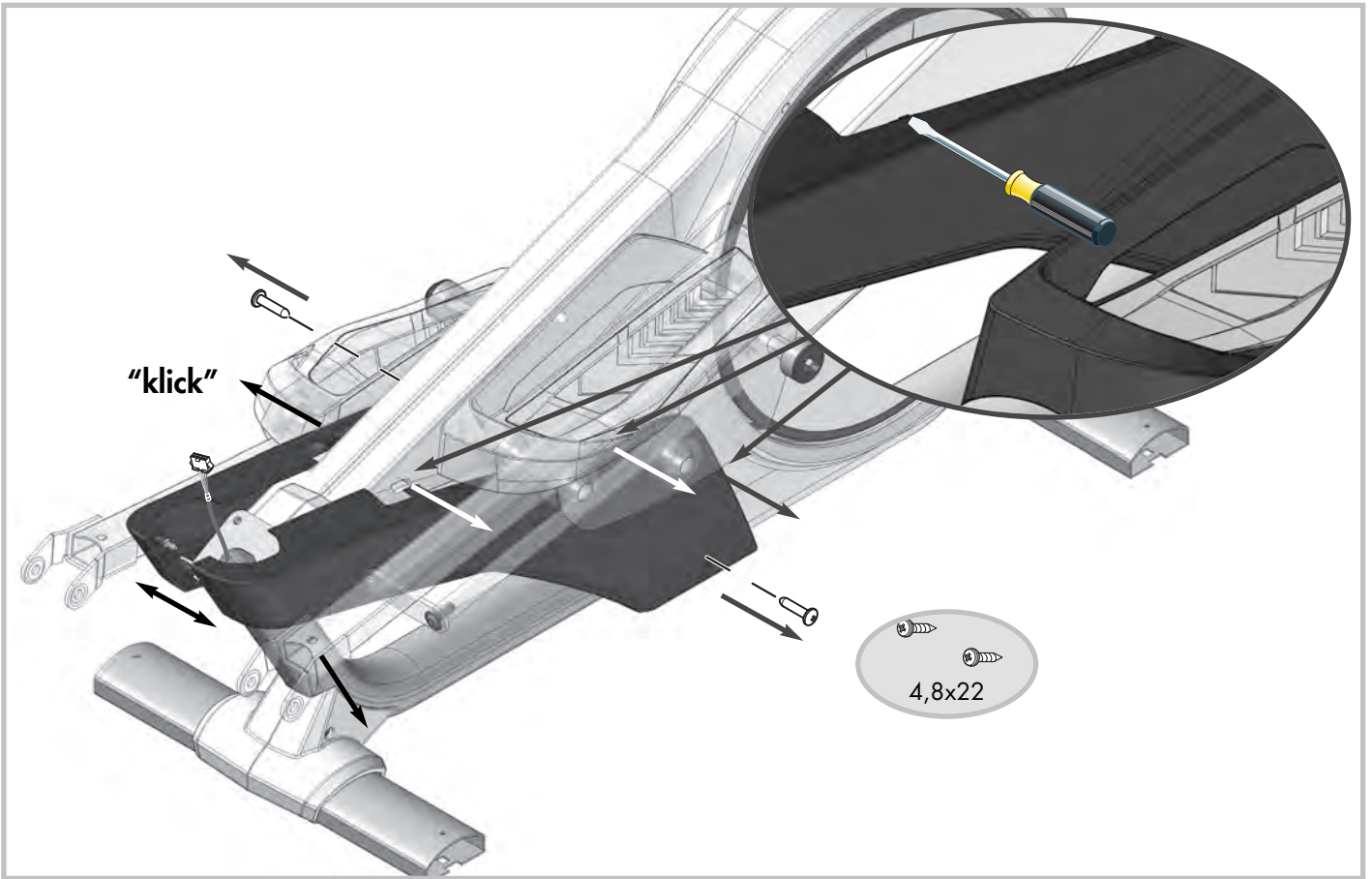
2x		M10x80
6x		M8x16
5x		3,9x19
5x		4x35
2x		M10

# Checkliste (Packungsinh.) 07670-700

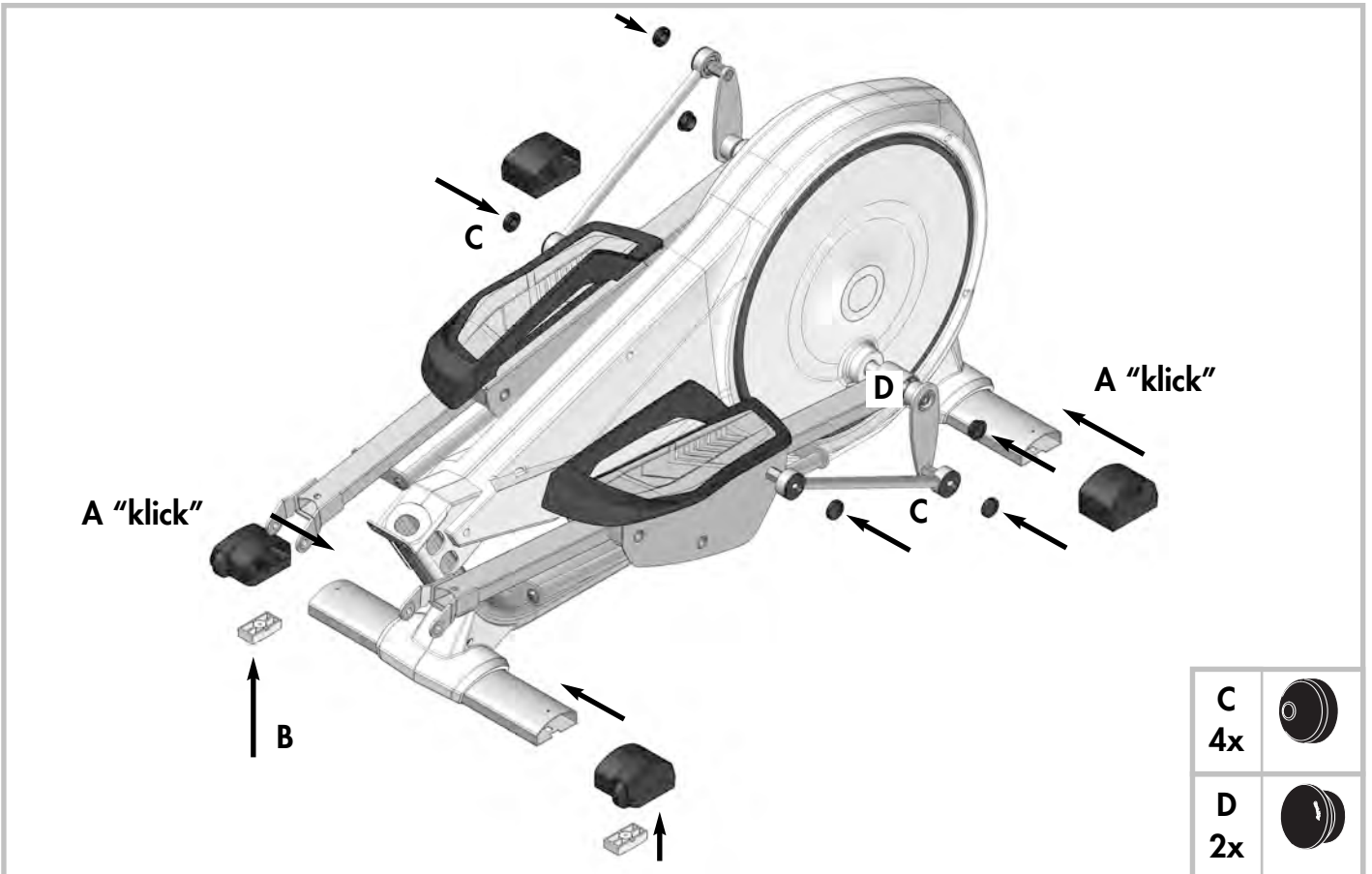
1x	
----	---

		<p>1x</p>	
		<p>1x</p>	
		<p>1x 1x</p>	
		<p>1x</p>	
		<p>1x</p>	
		<p>1x</p>	
		<p>1x</p>	
		<p>1x</p>	
		<p>1x</p>	
	<p>1x</p>		<p>1x</p>

1

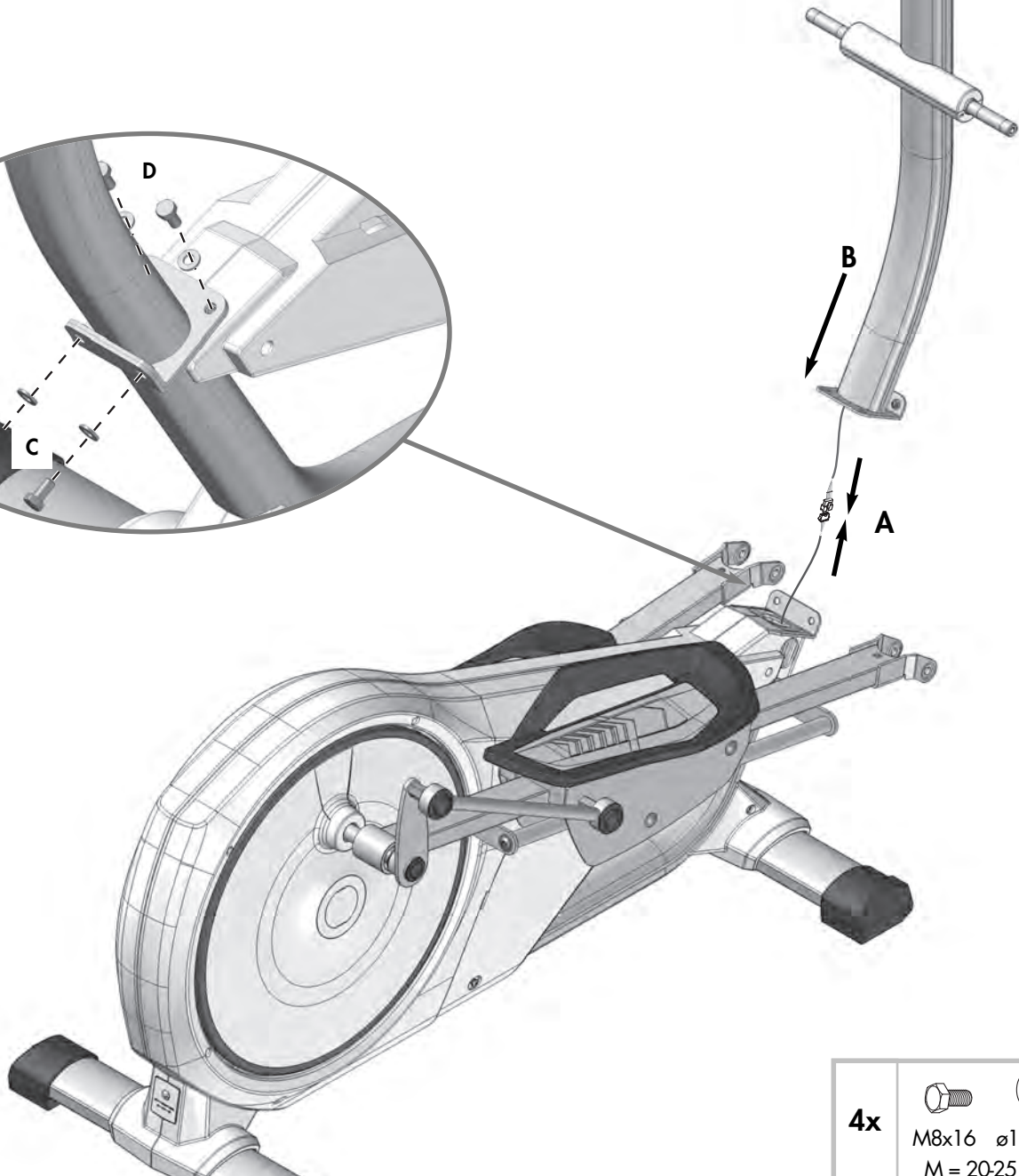
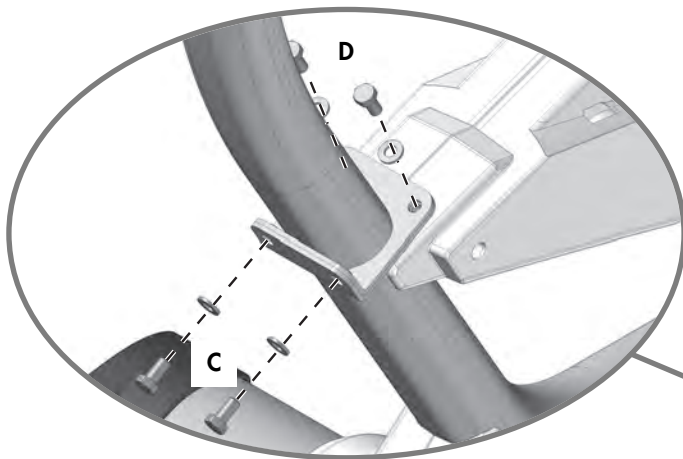
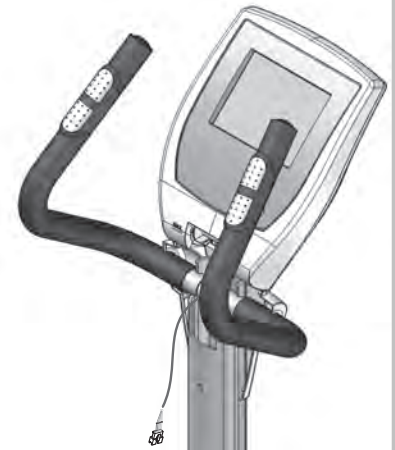


2





- D - Schraubverbindung regelmäßig kontrollieren.
- GB - The screwed connections must be controlled at regular intervals.
- F - Resserrer le raccord à vis à intervalles réguliers.
- NL - Schroefverbinding moet regelmatig opnieuw vastgedraaid worden.
- E - La atornilladura debe ser apretada con regularidad.
- I - Il collegamento a vite va riserrato ad intervalli regolari.
- PL - Połączenie śrubowe musi być regularnie dokręcane.
- CZ - Šroubové spojení pravidelně kontrolujte.
- P - Verifique regularmente as uniões roscadas.
- DK - Kontrollér skrueforbindelsen regelmæssigt.
- SLO - Redno preverjajte vijčni spoji.
- SRB - Redovno kontrolišite vijčane spojeve.
- RUS - Регулярно проверяйте Винтовые соединения.

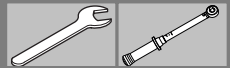
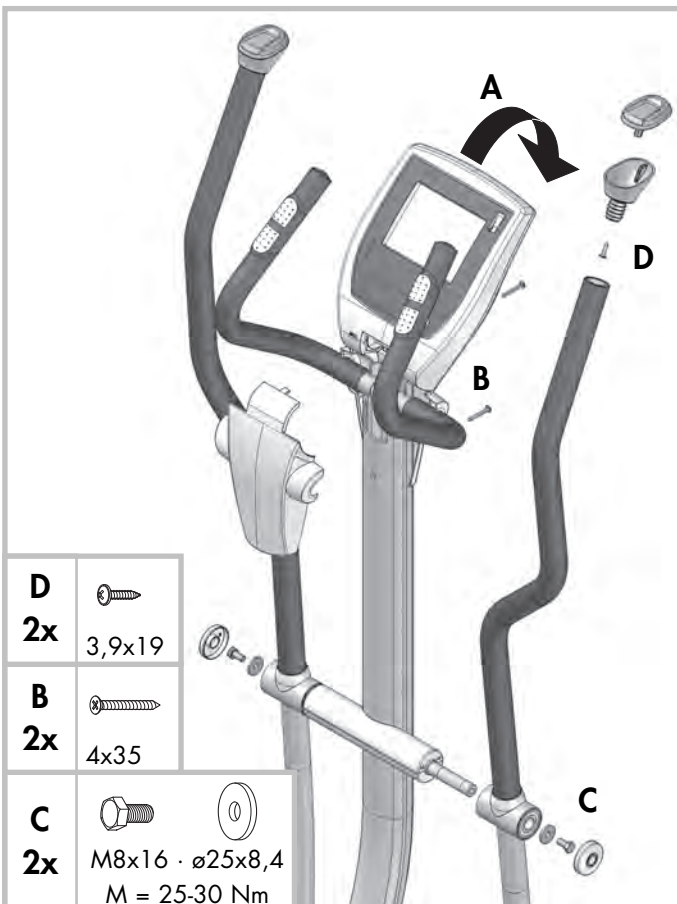
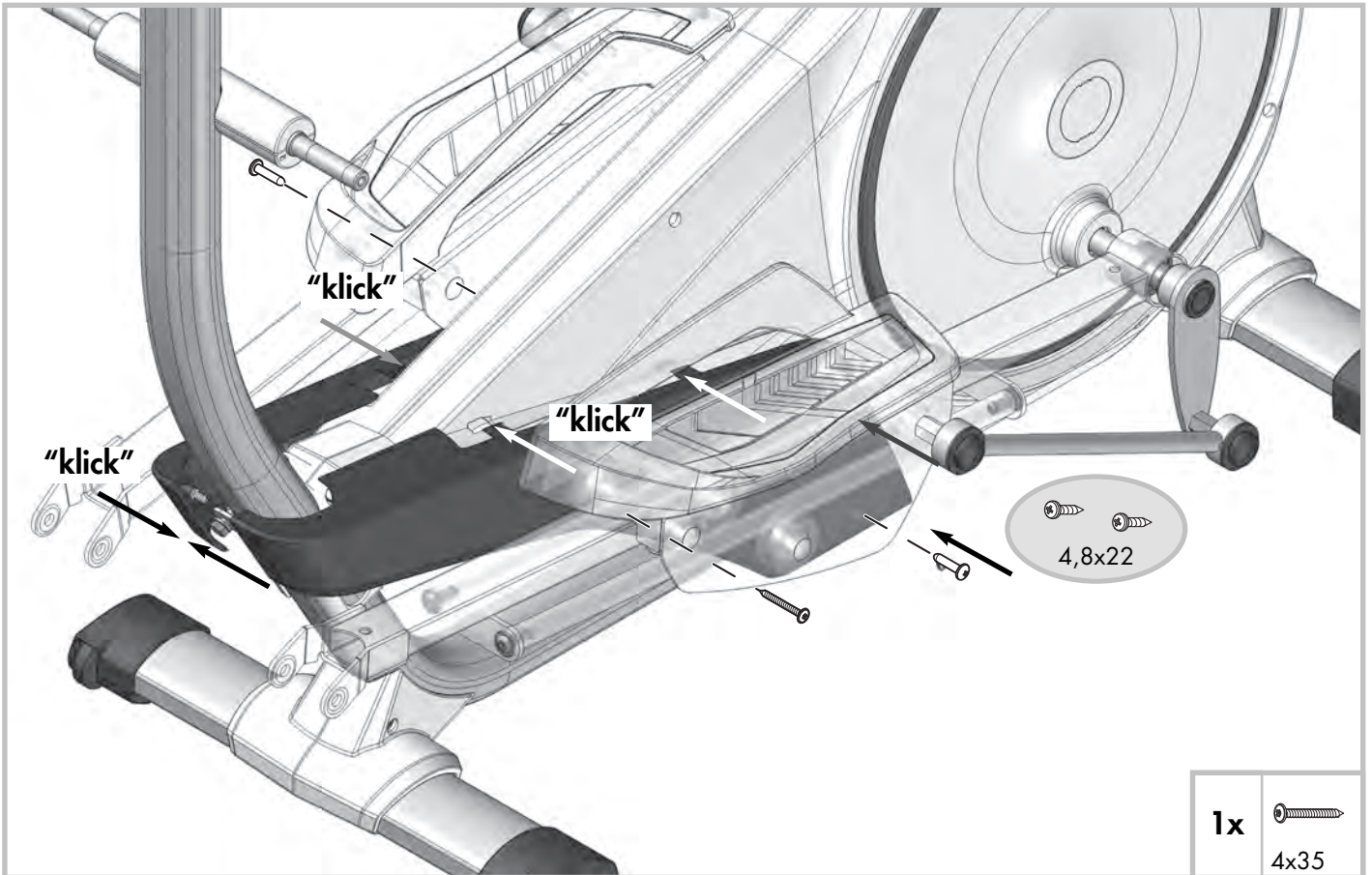
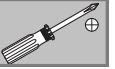


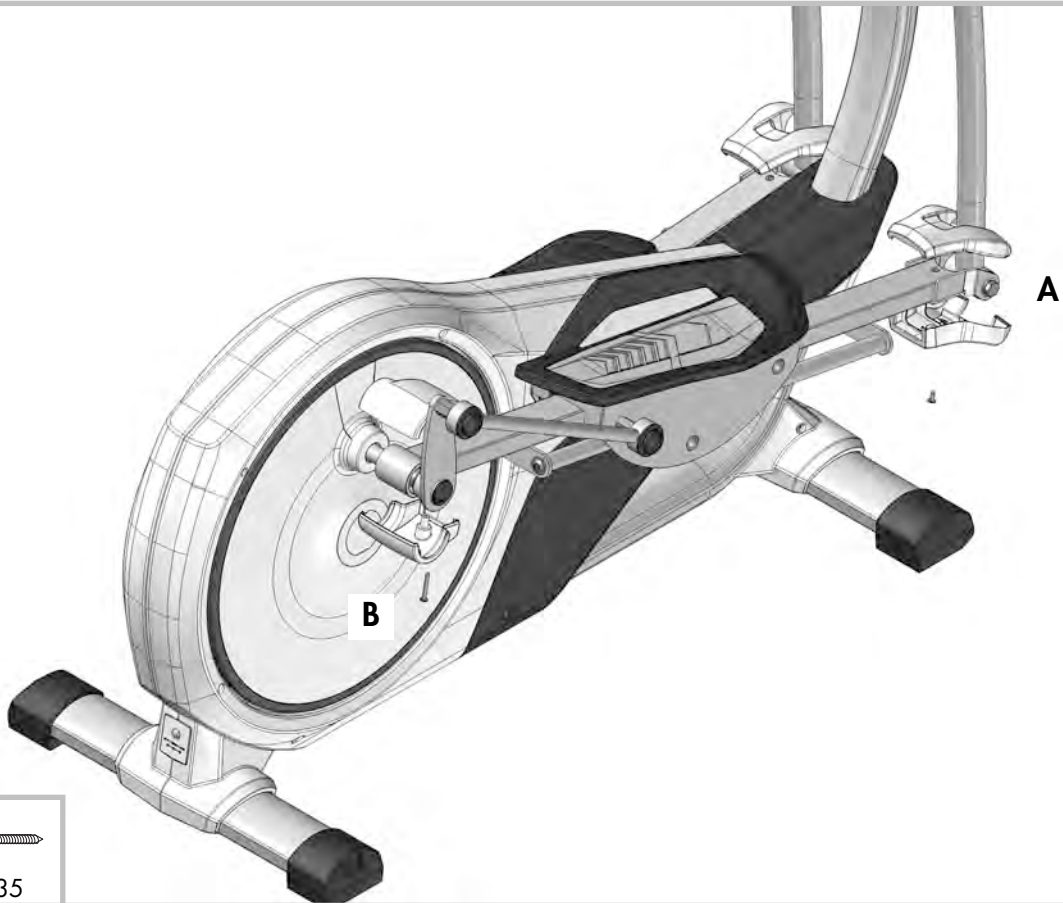
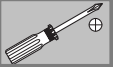
4x



M8x16  $\phi$ 16x8,3  
M = 20-25 Nm







**B**  
**2x**  
4x35

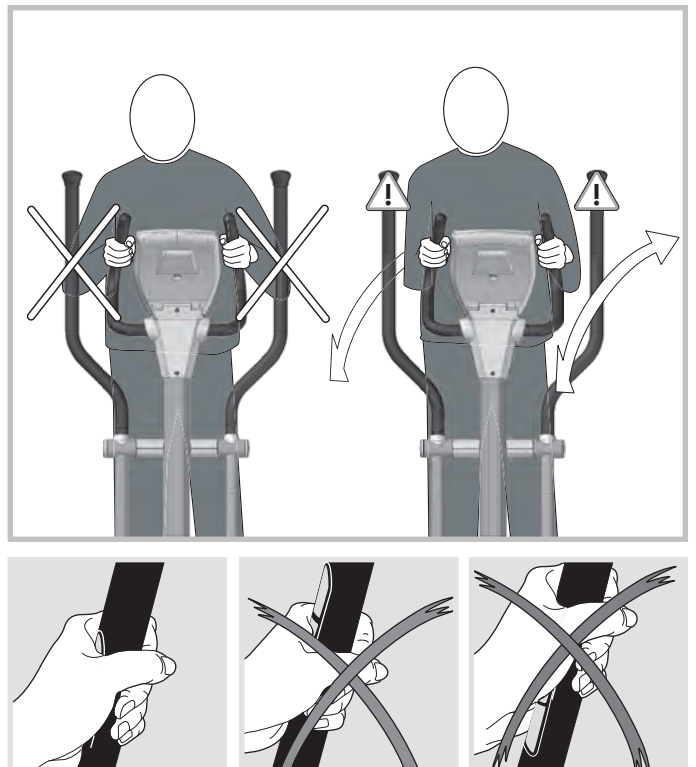
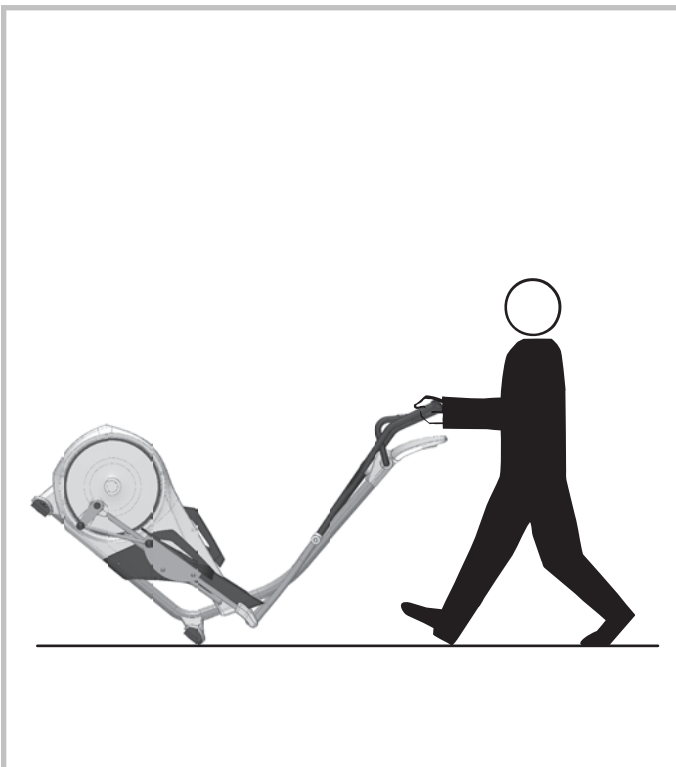
**A**  
**2x**  
3,9x19

## Handhabungshinweise

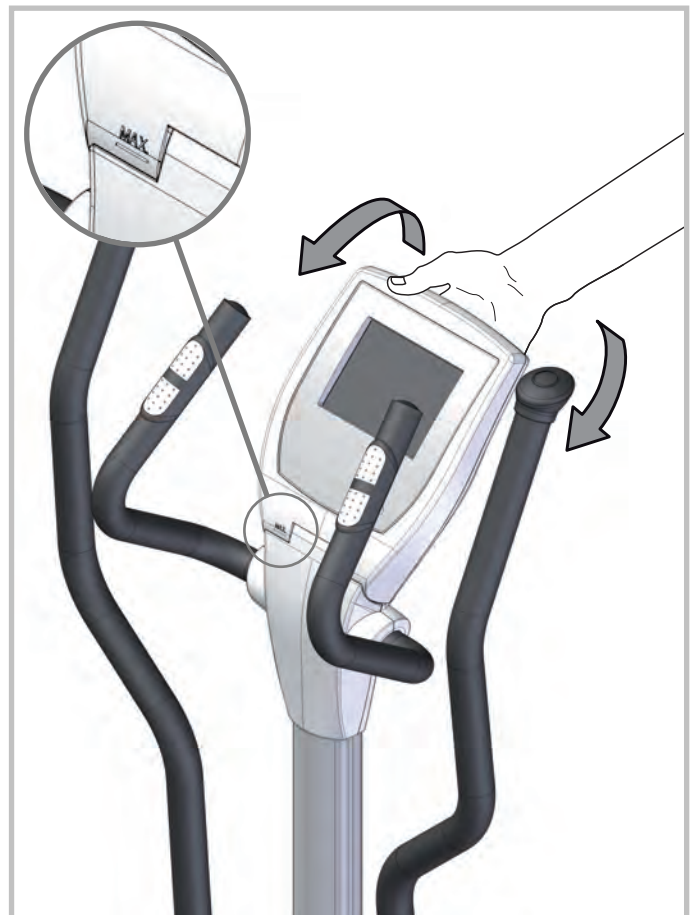
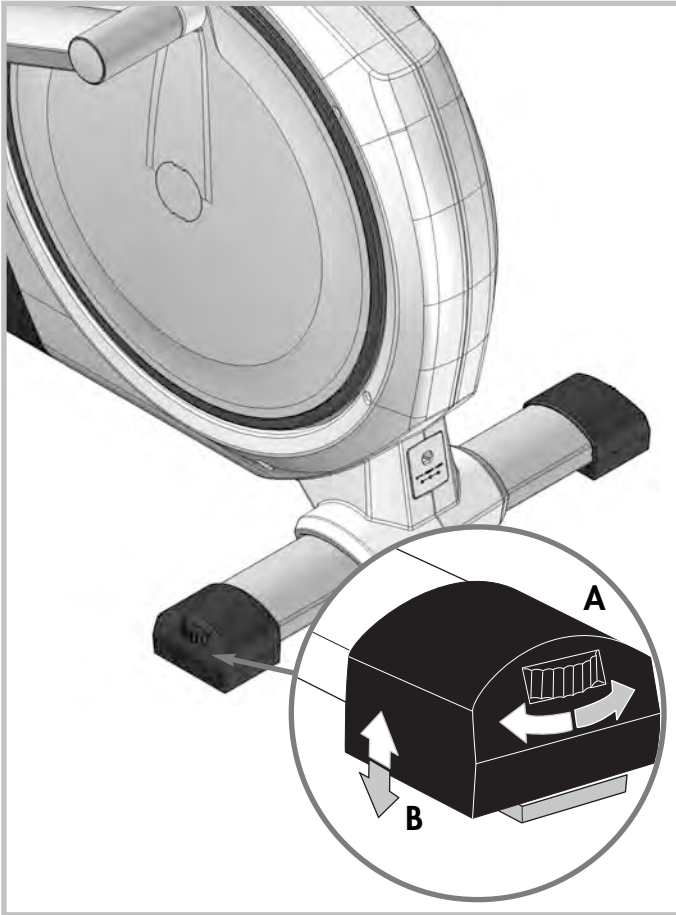
- GB - Handling  
- E - Aplicación  
- CZ - Pokyny k manipulaci  
- SLO - Napotki za ravnanje

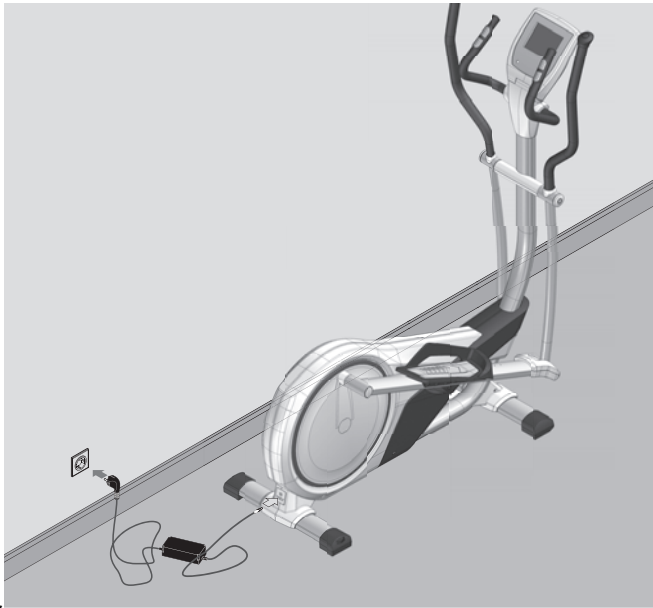
- F - Utilisation  
- I - Utilizzo  
- P - Notas sobre o manuseamento  
- SRB - Uputstvo za rukovanje

- NL - Handleiding  
- PL - Zastosowanie  
- DK - Håndtering  
- RUS - Указания по обращению

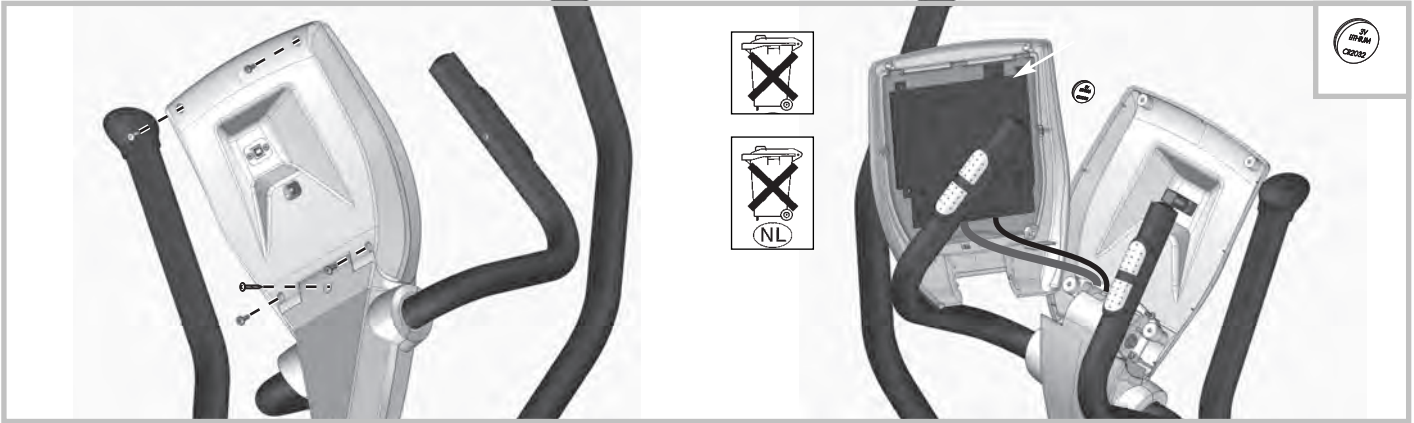
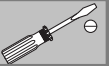


# Handhabungshinweise





- D - Bei Geräten mit Netzteil: **Achtung!** Betrieb nur mit mitgeliefertem Original-Netzteil der Original-KETTLER-Ersatzteil (siehe Ersatzteilliste) zulässig. **Ansonsten Gefahr der Beschädigung.**
- GB - For products with power supply: **Attention!** Only use with original power unit as supplied, or with original KETTLER spare part (see spare part list). **Otherwise this may result in damage.**
- F - Pour les appareils avec bloc secteur: **Attention!** Exploiter uniquement l'appareil avec son bloc secteur original qui fait partie de la fourniture ou une pièce de rechange originale de KETTLER (voir liste des pièces de rechange). **Sinon risque de détérioration.**
- NL - Bij apparaten met transformator: **ATTENTIE:** gebruik alleen toegestaan met de bijgeleverde originele transformator of origineel KETTLER onderdeel (zie onderdelenlijst). **Anders bestaat er beschadigingsgevaar.**
- E - En aparatos con fuente de alimentación: **¡Atención!** Funcionamiento solamente autorizado con la fuente de alimentación original suministrada o con pieza de recambio original de KETTLER (ver lista de piezas de recambio). **De lo contrario podría ocasionar daños.**
- I - Apparecchi con alimentatore: **Attenzione!** L'utilizzo è consentito soltanto con l'alimentatore originale fornito in dotazione oppure con parte di ricambio originale della KETTLER (vedasi lista delle parti di ricambio). **Altrimenti sussiste il rischio di danneggiamenti.**
- PL - Dotyczy urządzeń z zasilaczem: **Uwaga!** Eksploatacja urządzenia jest możliwa tylko z dostarczonym oryginalnym zasilaczem lub z oryginalnym urządzeniem zastępczym marki KETTLER (patrz Lista części zamiennych). **W przeciwnym razie istnieje ryzyko uszkodzenia.**
- CZ - U přístrojů se síťovým zdrojem: **Pozor!** Provoz je přípustný pouze s originálním síťovým zdrojem obsaženým v dodávce nebo originálním náhradním dílem od firmy KETTLER (viz seznam náhradních dílů). **Jinak vzniká nebezpečí poškození.**
- P - Em aparelhos com cabo: **Atenção!** O funcionamento só é permitido com o cabo original fornecido ou com a peça sobressalente original KETTLER (ver lista de peças sobressalentes). **Caso contrário, perigo de danos.**
- DK - Maskiner med netdel: **OBS!** Det er kun tilladt at bruge den medleverede originale netdel eller den originale reservedel fra KETTLER (se reservedelslisten). **I modsat fald kan maskinen beskadiges.**
- SLO - Kod uređaja s mrežnim dijelom: **POZOR!** Dopuštena je uporaba samo s isporučenim originalnim mrežnim dijelom ili originalnim KETTLER rezervnim dijelom (vidi popis rezervnih dijelova). **U suprotnome postoji opasnost od oštećenja.**
- SRB - Kod uređaja sa utikačem za struju: **Pažnja!** Puštanje u rad je dozvoljeno samo sa isporučenim originalnim utikačem ili sa originalnim KETTLER-ovim rezervnim delom (pogledajte listu sa rezervnim delovima). **U suprotnom postoji opasnost od oštećenja.**
- RUS - Для устройств с блоком питания: **ВНИМАНИЕ!** Разрешается эксплуатация только с использованием оригинального блока питания, входящего в комплект поставки, или оригинальной запасной части KETTLER (см. список запчастей). **В противном случае существует опасность повреждения.**

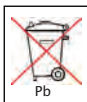


Eine schwache oder erloschene Computeranzeige macht einen Batteriewechsel erforderlich. Der Computer ist mit zwei Batterien ausgestattet. Nehmen Sie den Batteriewechsel wie folgt vor:

- Nehmen Sie den Batteriefachdeckel ab und ersetzen Sie die Batterien durch zwei neue vom Typ AA 1,5V.
- Schrauben Sie das Cockpit-Hinterteil ab und ersetzen Sie die Batterie durch eine neue vom Typ 3V Lithium CR2032.
- Achten Sie beim Einsatz der Batterien auf die Kennzeichnung im Batteriefachboden.
- Sollte es nach dem Wiedereinschalten zu Fehlfunktionen kommen, klemmen Sie die Batterien noch einmal kurz ab und wieder an.

**Wichtig: Aufgebrauchte Batterien fallen nicht unter die Garantiebestimmungen.**

## Entsorgung von gebrauchten Batterien und Akkus.



Dieses Symbol weist darauf hin, dass Batterien und Akkus nicht mit dem normalen Hausmüll entsorgt werden dürfen.

Die Buchstaben Hg (Quecksilber) und Pb (Blei) unter der durchgestrichenen Mülltonne weisen zusätzlich darauf hin, dass in der Batterie/dem Akku ein Anteil von mehr als 0,0005% Quecksilber oder 0,004% Blei enthalten ist.

Falsches Entsorgen schädigt Umwelt und Gesundheit, Materialrecycling schont kostbare Rohstoffe.

Entfernen Sie bei der Stilllegung dieses Produktes alle Batterien/Akkus und geben Sie sie an einer Annahmestelle für das Recycling von Batterien oder elektrischen und elektronischen Geräten ab.

Informationen über entsprechende Annahmestellen erhalten Sie bei Ihrer örtlichen Kommunalbehörde, Entsorgungsbetrieb oder der Verkaufsstelle dieses Gerätes.

## – GB – Battery change

A weak or an extinguished computer display makes a battery change necessary. The computer is equipped with two batteries. Perform the battery change as described below:

- Remove the lid of the battery compartment and replace the batteries by two new batteries of type AA 1,5V.
- Unscrew the back of the cockpit and replace the battery with the correct type: 3VLithium CR2032.
- When inserting the batteries pay attention to the designation on the bottom of the battery compartment.
- Should there be any misoperation after switching on the computer again, shortly disconnect the batteries once again and re-insert them.

**Important: The guarantee does not cover worn-out batteries.**

## Disposal of used batteries and storage batteries



This symbol tells you that batteries and storage batteries must not be disposed of with the normal household waste.

The symbols Hg (mercury) and Pb (lead) underneath the crossed-out rubbish bin also tell you that the battery or storage battery contains more than 0.0005% mercury or more than 0.004% lead.

Improper disposal damages the environment and can damage people's health. Recycling of materials conserves precious raw materials. When disposing of the appliance, remove all batteries and storage batteries from the product and hand them over to the collection point for the recycling of batteries or electrical or electronic appliances. Information about the appropriate collection points can be obtained from your local authorities, your waste disposal team or in the outlet where this appliance was sold.

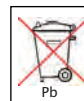
## – F – Changement de piles

Un affichage de l'ordinateur faible ou éteint impose un changement des piles. L'ordinateur est équipé de deux piles. Effectuez le changement comme suit:

- Enlevez le couvercle du logement des piles et remplacez-les par deux piles neuves du type AA 1,5V.
- Dévissez l'envers du cockpit et changez la pile. Utilisez toujours des piles du type 3V Lithium CR 2032.
- Veillez au marquage au fond du logement lors de la mise en place des piles.
- En cas de dysfonctionnement après la remise en marche, enlevez brièvement les piles et remettez-les ensuite.

**Important: Les piles usées sont exclues des dispositions de garantie.**

## Elimination des piles et des accumulateurs usagés.



Ce symbole indique que les piles et les accumulateurs ne doivent pas être éliminés avec les déchets ménagers ordinaires.

Les lettres Hg (mercure) et Pb (plomb) situées sous la poubelle barrée indiquent en outre que la pile/l'accumulateur contient une part de plus de 0,0005 % de mercure ou de 0,004% de plomb.

Une mauvaise élimination nuit à l'environnement et à la santé ; le recyclage des matériaux épargne de précieuses matières premières. Enlevez toutes les piles/accumulateurs lorsque ce produit est mis hors service et remettez-les dans un dépôt afin de recycler les piles ou les appareils électriques et électroniques.

Vous trouverez des informations concernant les dépôts correspondants auprès de votre commune, d'une entreprise de traitement ou dans le point de vente où l'appareil a été acheté.

## – SLO – Menjava baterij

Slab ali ugasnjen računalniški zaslon zahteva menjavo baterije. Računalnik je opremljen z dvema baterijama. Zamenjavo baterij opravite na naslednji način:

- Snemite pokrov predala za baterije in zamenjajte stari z dvema novima baterijama tipa AA 1,5 V.
- Pri vstavljanju baterij pazite na oznake na dnu predala za baterije. 3V CR2032
- Če pride pri ponovnem vklopu do napačnega delovanja, na kratko snemite kontakte baterij in jih nato ponovno namestite.

**Pomembno: izrabljene baterije ne sodijo pod garancijska določila.**

### Odstranjevanje izrabljenih baterij in akumulatorjev med odpadke.



Ta simbol opozarja, da baterij in akumulatorjev ni dovoljeno odstraniti med odpadke z običajnimi gospodinjstvi odpadki.

Črke Hg (živo srebro) in Pb (svinec) pod prečrtanim smetnjakom, dodatno opozarjajo, da vsebujejo baterije / akumulatorji večji delež od 0,0005 % živega srebra ali 0,004 % svinca. Napačno odstranjevanje med odpadke škoduje okolju in zdravju, recikliranje materiala privarčuje dragocene surovine. Ko je izdelek izrabljen, odstranite baterije/akumulatorje in jih oddajte v sprejemni center za recikliranje baterij ali električnih in elektronskih aparatov. Informacije o ustreznih odjemnih mestih za recikliranje boste dobili pri krajevnem komunalnem podjetju, obratu za predelavo odpadkov ali na prodajnem mestu, kjer ste kupili ta izdelek.

## – SRB – Zamena baterija

Kada ekran kompjutera oslabi ili se skroz ugasi, neophodno je zameniti baterije. Kompjuter ima dve baterije. Izvedite zamenu baterija na sledeći način:

- Skinite poklopac ležišta za baterije i zamenite baterije sa dve nove, tipa AA 1,5V.
- Skinite zadnji deo kontrolne ploče i zamenite bateriju novom litijumskom baterijom tipa 3V CR2032.
- Prilikom stavljanja baterija pazite na oznake unutar ležišta.
- Ako nakon ponovnog uključivanja dođe do greške, baterije nakratko izvadite i ponovo stavite.

**Važno: Potrošene baterije ne spadaju u uslove garancije.**

### Odlaganje istrošenih baterija i punjivih baterija.



Ovaj simbol ukazuje na to da baterije i punjive baterije ne smete bacati zajedno s ostalim kućnim otpadom.

Slova Hg (živa) i Pb (olovo) ispod precrtane kante za otpad dodatno ukazuju na to da u bateriji/akumulatoru

ima više od 0,0005% žive ili 0,004% olova.

Pogrešno uklanjanje šteti životnoj sredini i zdravlju, dok reciklaža materijala štedi skupocene sirovine!

Pre nego što uklonite proizvod, izvadite baterije/punjive baterije i predajte ih na prijemno mesto za reciklažu baterija i akumulatora ili električnih i elektronskih uređaja.

Više informacija o odgovarajućim merama možete da dobijete kod lokalnog komunalnog preduzeća, kod pogona za uklanjanje otpada ili u prodavnici u kojoj ste nabavili uređaj.

## – RUS – Замена батареек

Если изображение на дисплее плохо видно или отсутствует вообще, необходимо заменить батарейки. Компьютер комплектуется двумя батарейками. Выполните замену батареек следующим образом:

- Снимите крышку отсека для батареек и вставьте две новых батарейки типа AA с напряжением 1,5 В.
- При вставке батареек обратите внимание на маркировку на дне отсека. 3V CR2032
- Если после повторного включения компьютер не функционирует правильно, еще раз ненадолго извлеките батарейки и снова вставьте их.

**Важно: гарантия не распространяется на батарейки.**

### Утилизация использованных батареек и аккумуляторов.



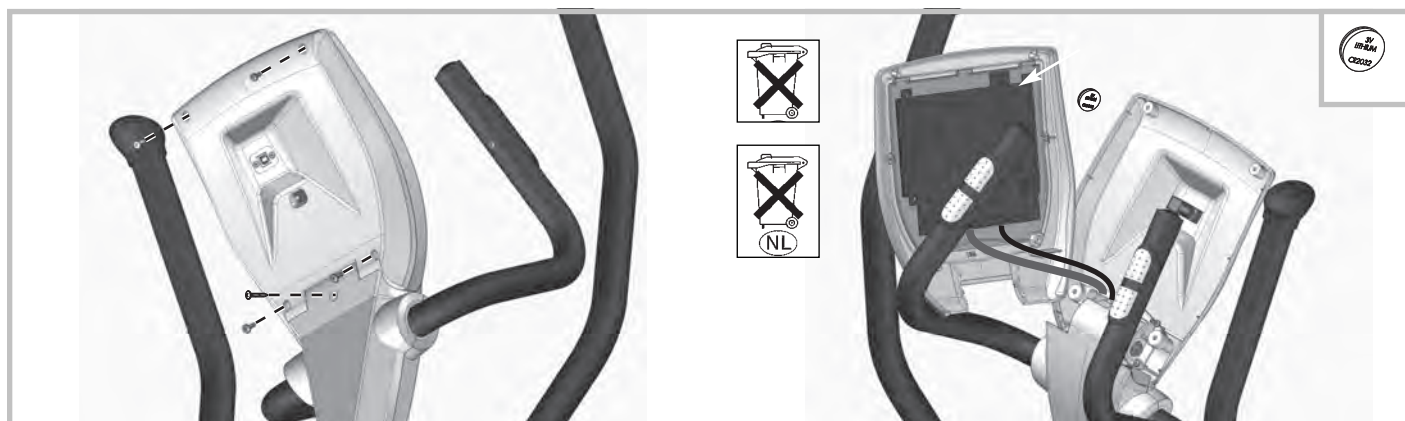
Этот значок указывает на то, что батарейки и аккумуляторы нельзя выбрасывать вместе с бытовыми отходами.

Буквы Hg (ртуть) и Pb (свинец) под зачеркнутым мусорным баком говорят о том, что в батарейке/аккумуляторе доля ртути составляет более 0,0005% или доля свинца составляет более 0,004%.

Неправильная утилизация вредит окружающей среде и здоровью людей, повторная переработка материалов позволяет сберечь ценное сырье.

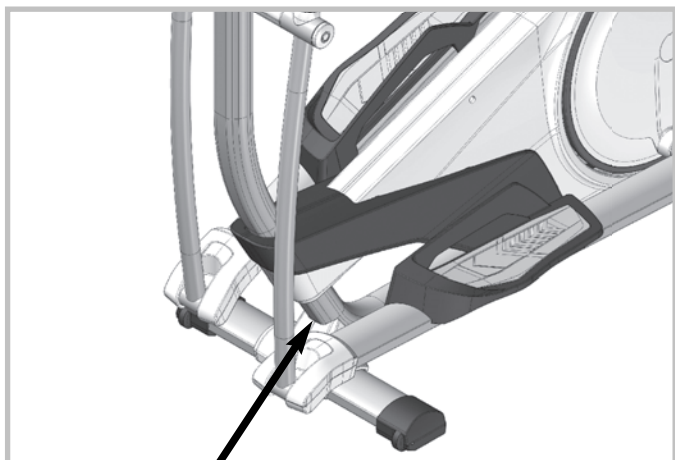
При выводе этого изделия из эксплуатации извлеките батарейки/аккумуляторы и сдайте их в приемный пункт, ответственный за утилизацию батареек, электроприборов и электроники.

Сведения о соответствующих приемных пунктах вы можете получить в местных органах власти, на предприятии, занимающемся утилизацией, или в магазине, в котором было приобретено устройство.



## Ersatzteilbestellung

- GB - Spare parts order
- F - Commande de pièces de rechange
- NL - Bestelling van reserveonderdelen
- E - Pedido de recambios
- I - Ordine di pezzi di ricambio
- PL - Zamówienie części zamiennych



- D - Beispiel Typenschild - Seriennummer
- GB - Example Type label - Serial number
- F - Exemple Plaque signalétique - Numéro de serie
- NL - Bij voorbeeld Typeplaatje - Seriennummer
- E - Ejemplo Placa identificativa - Número de serie
- I - Esempio Targhetta tecnica - Numero di serie
- PL - Przykłady Tabliczka identyfikacyjna - Numer serii

- CZ - Příklad typového štítku - sériové číslo
- P - Exemplo placa de características - número de série
- DK - Eksempel type label - serienummer
- RO - Exemplu plăcuța de fabricație - seria
- H - Például a készülék ismertető címkéjén található sorozatszám
- HR - Primjer tipske pločice - serijskog broja
- SLO - Primer tipske ploščice - serijske številke
- SRB - Primer tipske pločice - serijski broj
- RUS - Пример заводской таблички с серийным номером

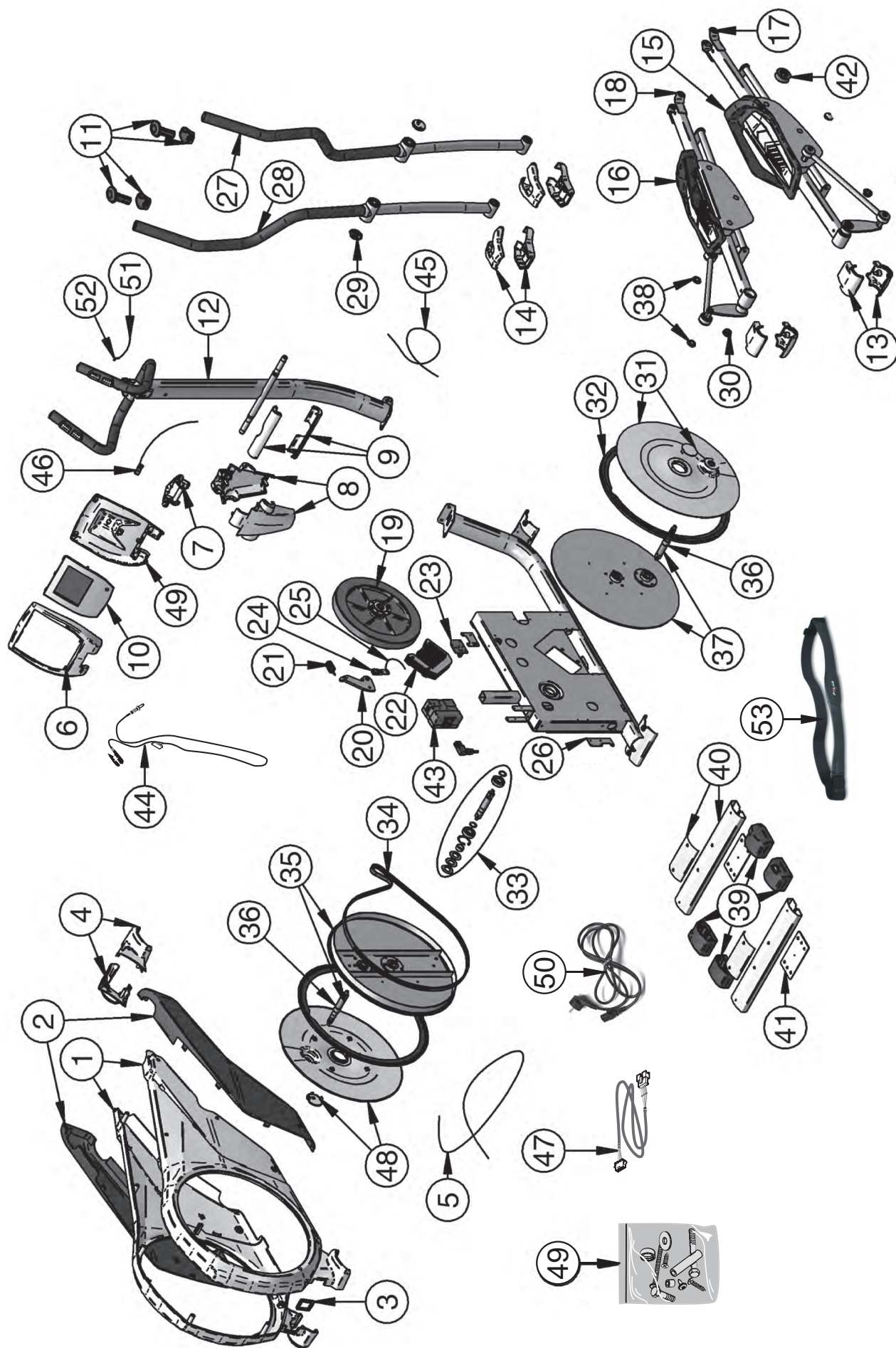
- CZ - Objednání náhradních dílů
- P - Encomenda de peças sobressalentes
- DK - Bestilling af reservedele
- SLO - Načrt nadomestnih delov
- SRB - Naručivanje rezervnih delova
- RUS - Заказ запчастей

- D - Geben Sie bei Ersatzteilbestellungen bitte die vollständige Artikelnummer, die Ersatzteilnummer, die benötigte Stückzahl und die Seriennummer des Gerätes an.
- GB - When ordering spare parts, always state the full article number, spare-part number, the quantity required and the S/N of the product.
- F - En cas de commande de pièces de rechange, nous vous prions de mentionner la référence article, le numéro de pièce de rechange, la quantité demandée et le numéro de série de l'appareil.
- NL - Vermeld bij de onderdelenbestellingen a.u.b. het volledige artikelnummer, het onderdeelnummer, het benodigde aantal en het serienummer van het apparaat.
- E - Indicar con los pedidos de piezas de repuesto el número completo del artículo, el número de la pieza de repuesto, las unidades solicitadas y el número de serie del aparato.
- I - Per l'ordinazione di parti di ricambio indicate il completo numero di articolo, della parte di ricambio, il numero di unit necessario nonchè il numero di serie dell'apparecchio.
- PL - Przy zamawianiu części zamiennych proszę podawać kompletny numer artykułu, numer części zamiennej i numer serii urządzenia.
- CZ - Při objednání náhradních dílů prosím udejte úplné číslo zboží, číslo náhradního dílu, potřebný počet kusů a sériové číslo přístroje.
- P - Ao encomendar peças sobressalentes, por favor indique o número completo do artigo, o número da peça sobressalente, o número de unidades necessárias e o número de série do aparelho.
- DK - Ved bestilling af reservedele skal du altid opgive det fuldstændige artikelnummer, nummeret på reservedelen, det ønskede antal og maskinens serienummer (se Håndtering).
- SLO - Pri naročanju nadomestnih delov Vas prosimo, da navedete popolno številko artikla, številko nadomestnega dela, potrebno količino nadomestnih delov in serijsko številko naprave (glej ravnanje z napravo).
- SRB - Kod porudžbine rezervnih delova uvek navedite puni broj artikla, broj rezervnog dela, potreban broj komada, te serijski broj uređaja.
- RUS - Оформляя заказ на запчасти, указывайте полный артикульный номер, номер запасной детали, необходимое количество и серийный номер устройства.

		<b>07670-600</b>
		<b>Unix E</b>
		<b>GB Pride</b>
①	1x	94600771
②	1x	94600772
③	1x	70129599
④	1x	94600773
⑤	1x	67000835
⑥	1x	70127846
⑦	1x	70127839
⑧	1x	94600774
⑨	1x	94600215
⑩	1x	67001027
⑪	1x	94600816
⑫	1x	94600775
⑬	2x	94318613
⑭	2x	94600238
⑮	1x	94600239
⑯	1x	94600240
⑰	1x	94318608
⑱	1x	94318610
⑲	1x	91140455
⑳	1x	94600461
㉑	1x	25635052
㉒	1x	91140440
㉓	1x	42860116
㉔	1x	97200127
㉕	1x	67000707
㉖	1x	70129735

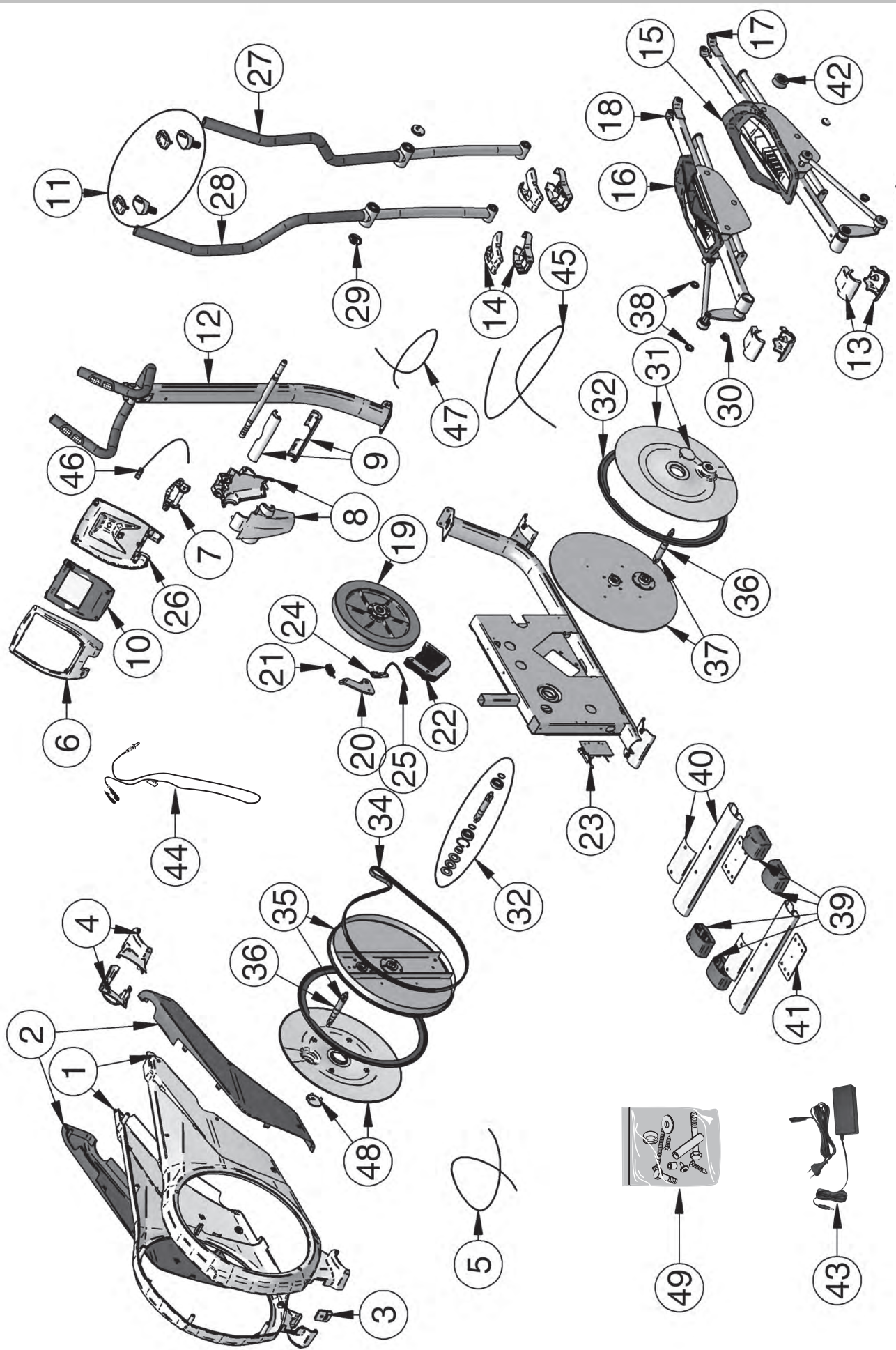
		<b>07670-600</b>
		<b>Unix E</b>
		<b>GB Pride</b>
㉗	1x	94600823
㉘	1x	94600824
㉙	2x	70130112
㉚	2x	33003005
㉛	1x	94600777
㉜	2x	70129511
㉝	1x	94600750
㉞	1x	67005127
㉟	1x	94600751
㊱	2x	11300116
㊲	1x	94600752
㊳	4x	70129348
㊴	1x	91180488
㊵	2x	94600231
㊶	2x	97200256
㊷	12x	98585064
㊸	1x	42860100
㊹	1x	67000988
㊺	1x	42860118
㊻	1x	67000935
㊼	1x	67000931
㊽	1x	94600778
㊾	1x	94318612
㊿	1x	42861110
①	1x	67000941
②	1x	67000699
③	1x	67002000





07670-700 Unix EX		
①	1x	94600722
②	1x	94600772
③	1x	70129509
④	1x	94600212
⑤	1x	67001006
⑥	1x	70133522
⑦	1x	70127839
⑧	1x	94600214
⑨	1x	94600215
⑩	1x	67001012
⑪	1x	94600816
⑫	1x	94600727
⑬	2x	94318316
⑭	2x	94600238
⑮	1x	94600239
⑯	1x	94600240
⑰	1x	94318449
⑱	1x	94318450
⑲	1x	91140455
⑳	1x	94600461
㉑	1x	25635052
㉒	1x	91140440
㉓	1x	67001009
㉔	1x	97200127

07670-700 Unix EX		
㉕	1x	67000707
㉖	1x	70129656
㉗	1x	94600823
㉘	1x	94600824
㉙	2x	70130112
㉚	2x	33003005
㉛	1x	94600244
㉜	2x	70129511
㉝	1x	94600750
㉞	1x	67005127
㉟	1x	94600751
㊱	2x	11300116
㊲	1x	94600752
㊳	4x	70129348
㊴	1x	91180488
㊵	2x	94600231
㊶	2x	97200256
㊷	12x	98585064
㊸	1x	42860015
㊹	1x	67000988
㊺	1x	67001020
㊻	1x	67001019
㊼	1x	67000926
㊽	1x	94600508
㊾	1x	94318447



## Zubehörbestellung

- GB - Accessories ordering
- F - La commande d'accessoires
- NL - Accessoires bestellen
- E - Para pedidos de accesorios
- I - L'ordine di accessori
- PL - Akcesoria zamawiania
- CZ - Příslušenství k objednání
- P - Acessórios ordenação
- DK - Tilbehør bestilling
- SLO - Dodatki naročanje
- SRB - Narudžbina dodatnog pribora
- RUS - Заказ аксессуаров

		<b>07937-600</b>
		<b>07937-650</b>
		<b>07937-700</b>
	140x80 cm	<b>07929-200</b>
	220x110 cm	<b>07929-400</b>





HEINZ KETTLER GmbH & Co. KG · Postfach 1020 · D-59463 Ense-Parsit  
[www.kettler.de](http://www.kettler.de)